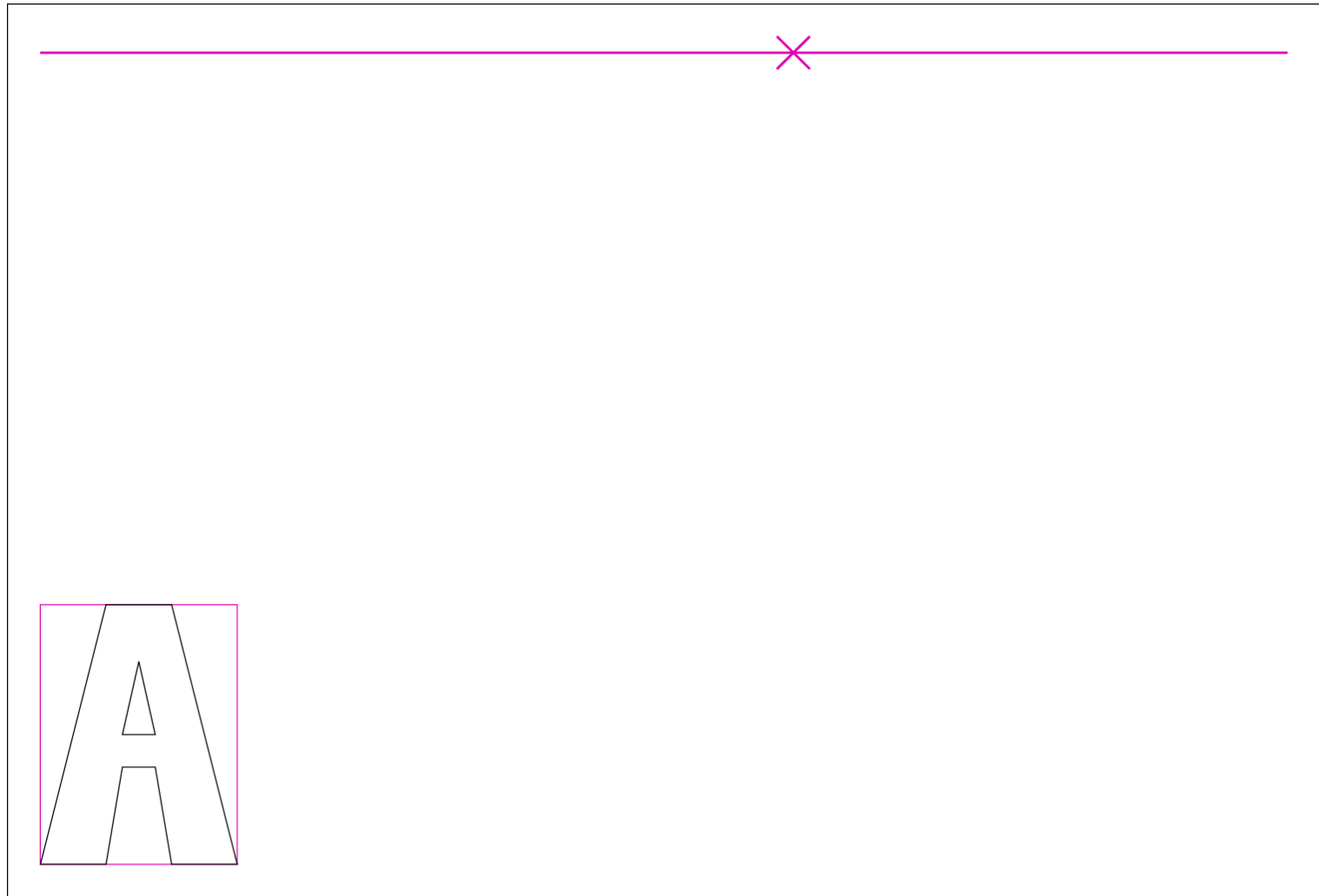
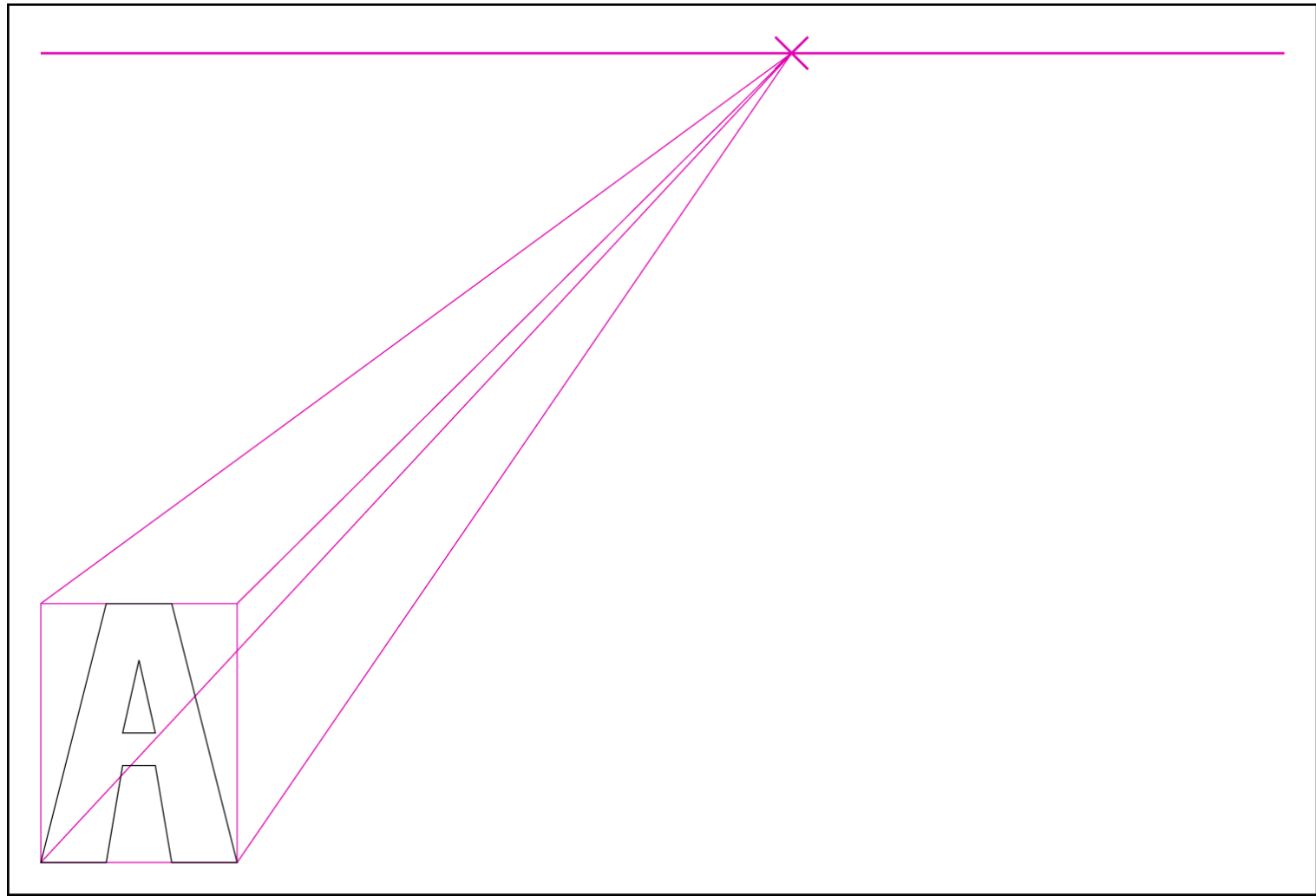


One Point Perspective Letters



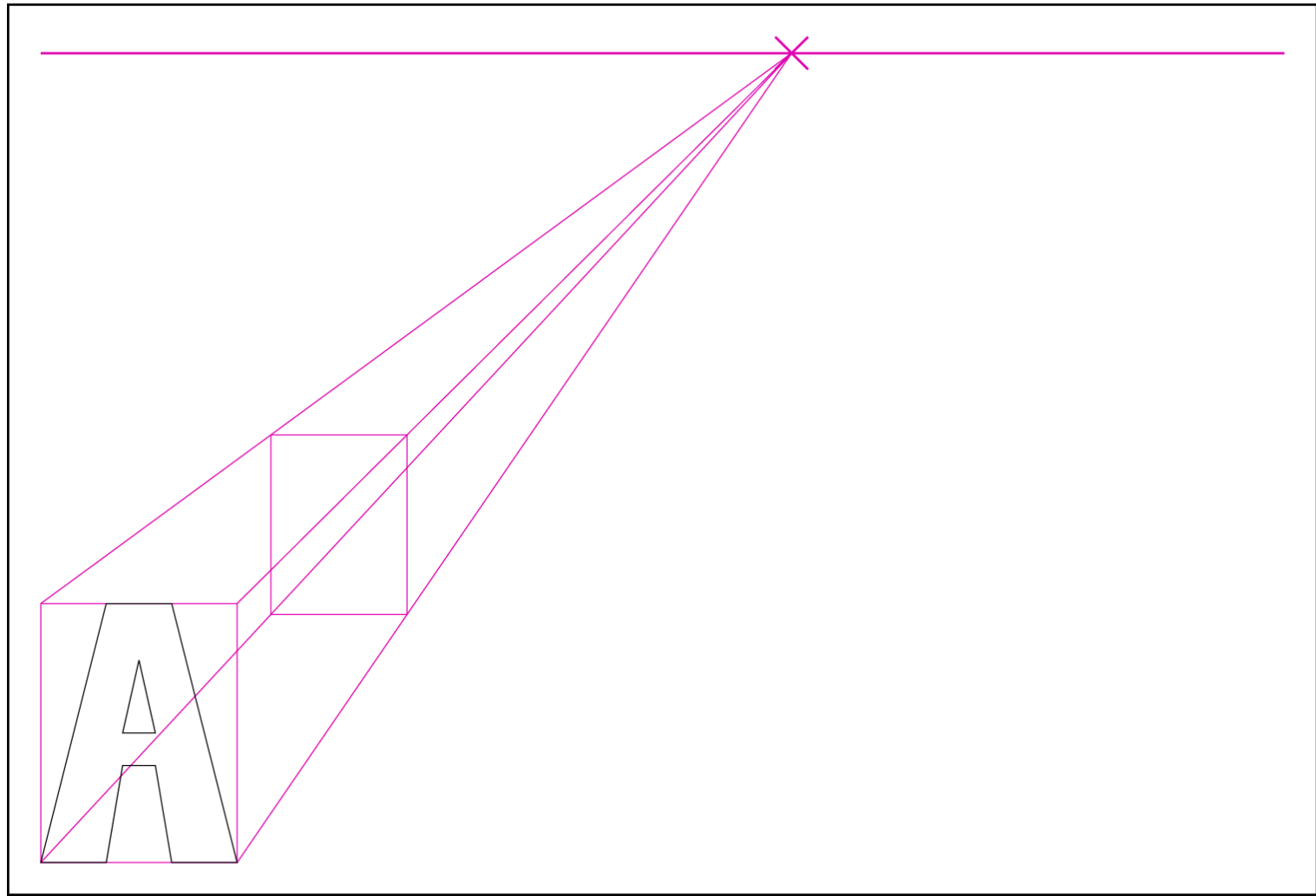
Draw your horizon line and vanishing point. Draw a letter 'A' inside a rectangular box.

One Point Perspective Letters



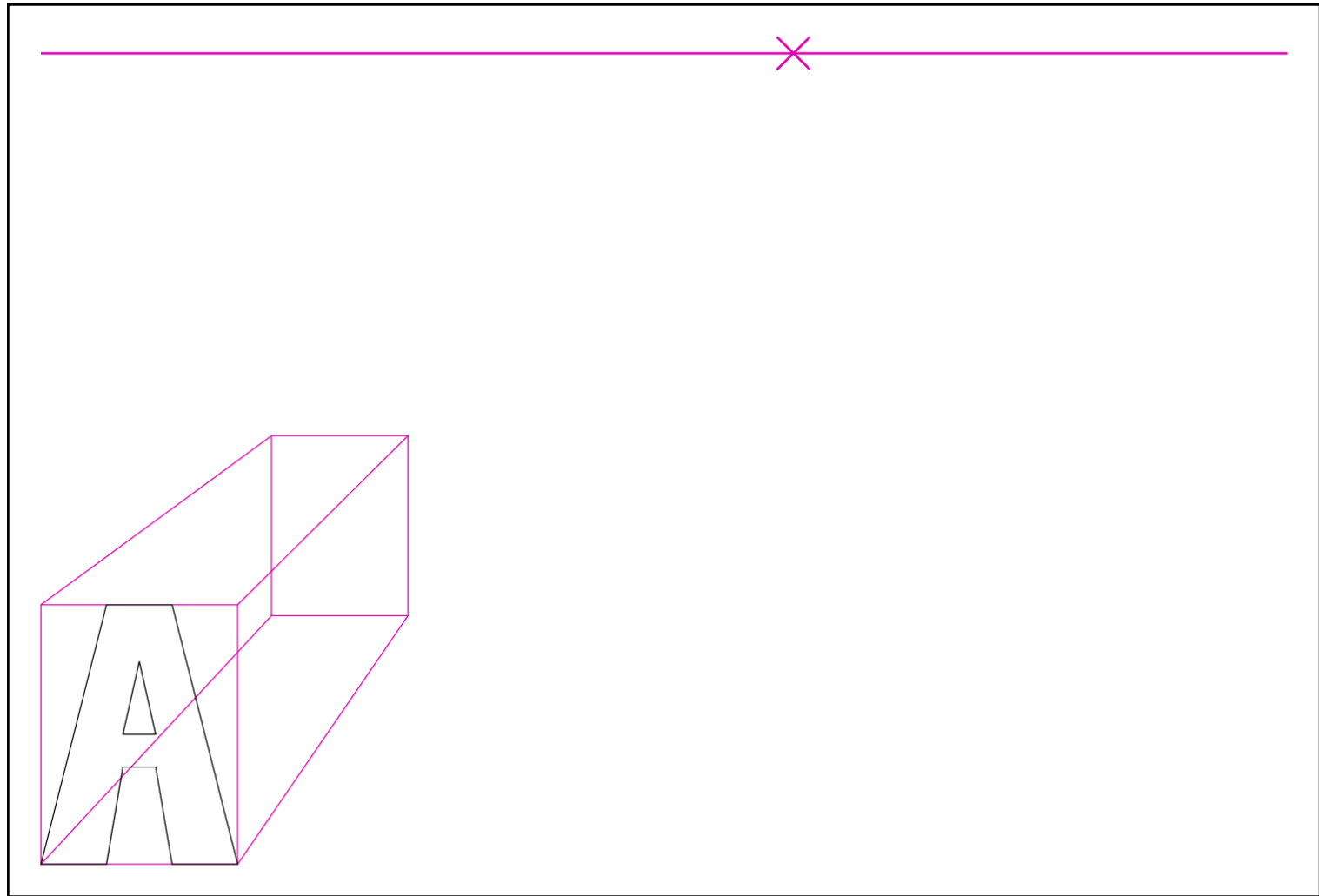
Draw orthagonals from each corner of the rectangle

One Point Perspective Letters



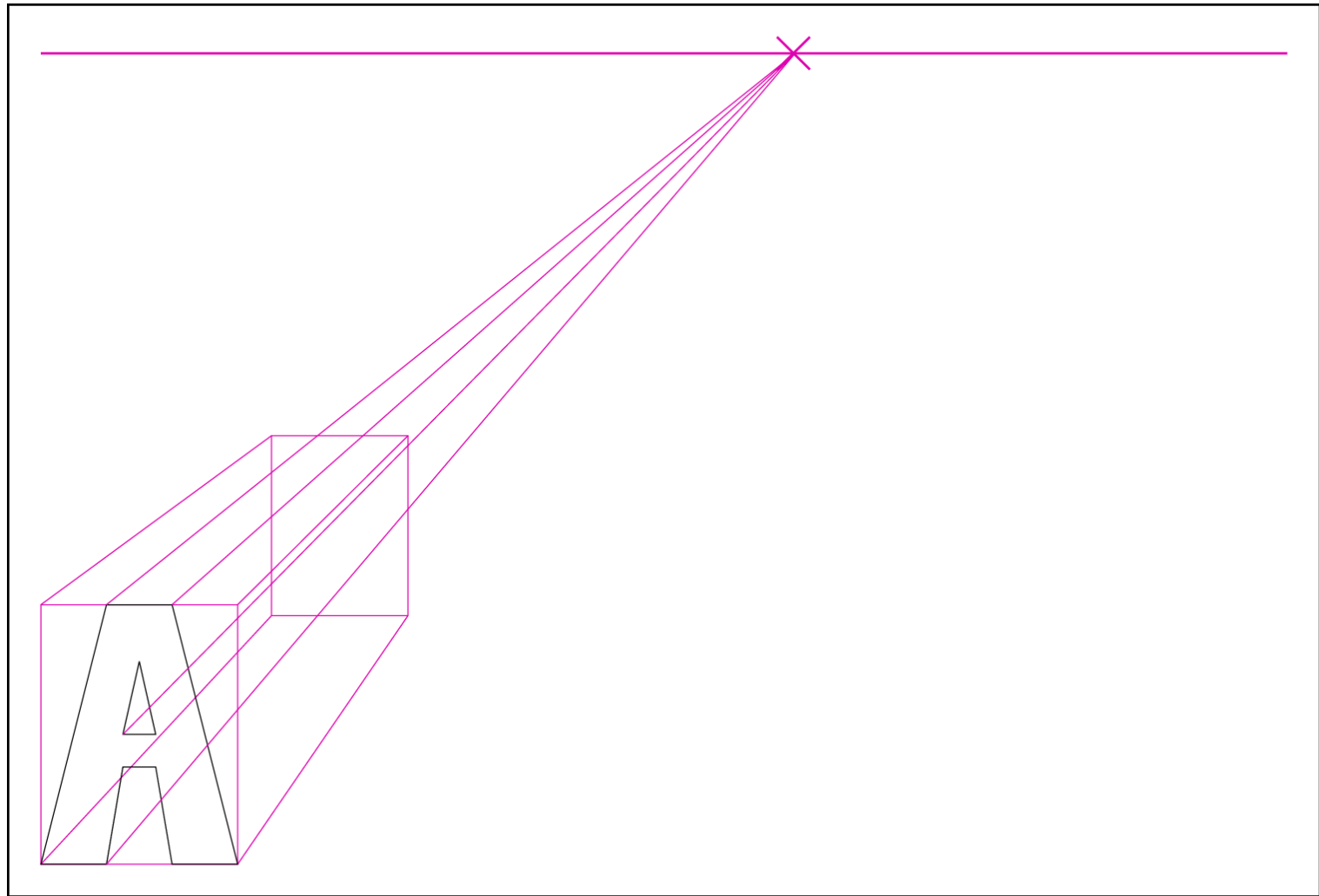
Draw another rectangle between the orthogonals where you want the letter to end.

One Point Perspective Letters



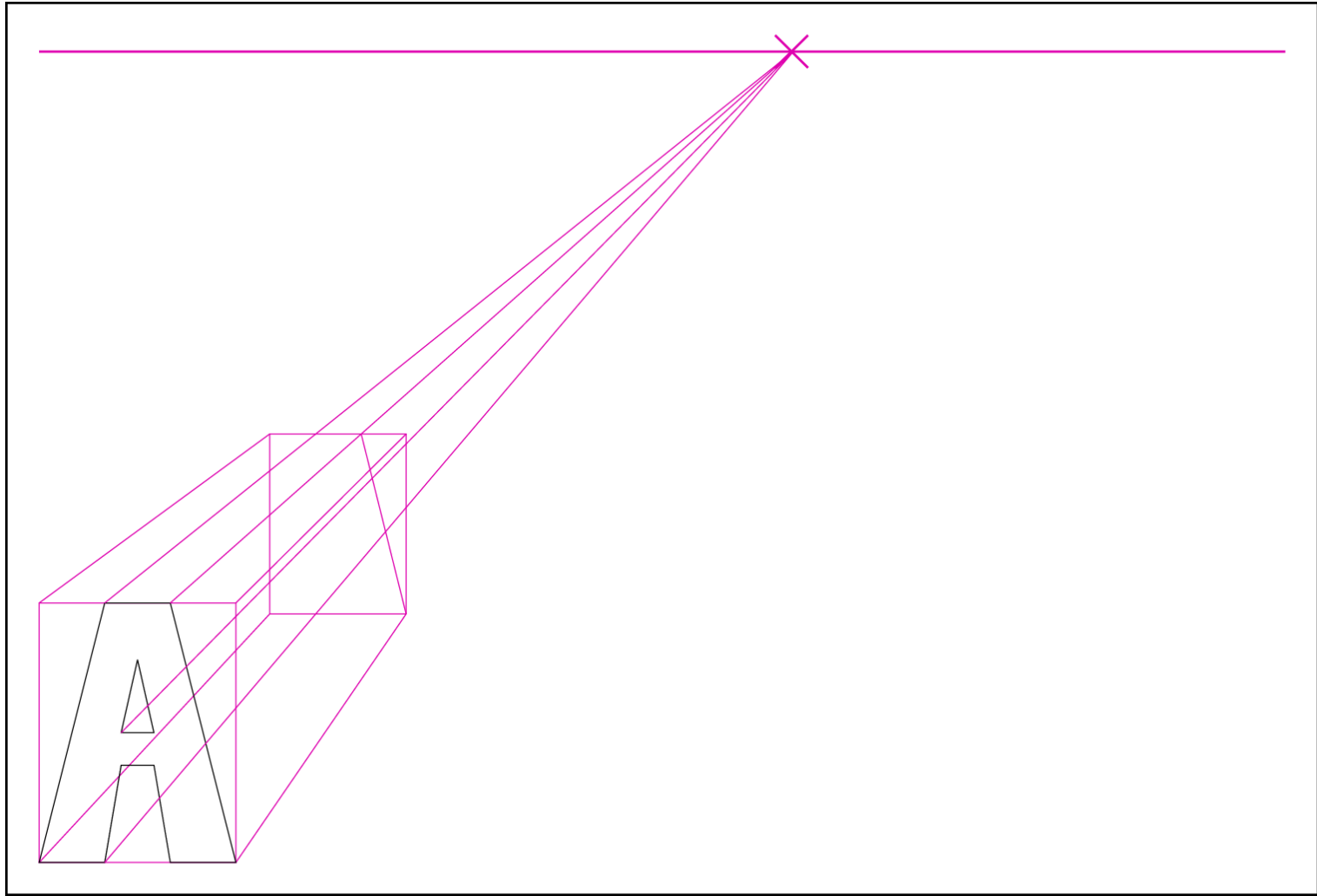
Rub out the lines you no longer need.

One Point Perspective Letters



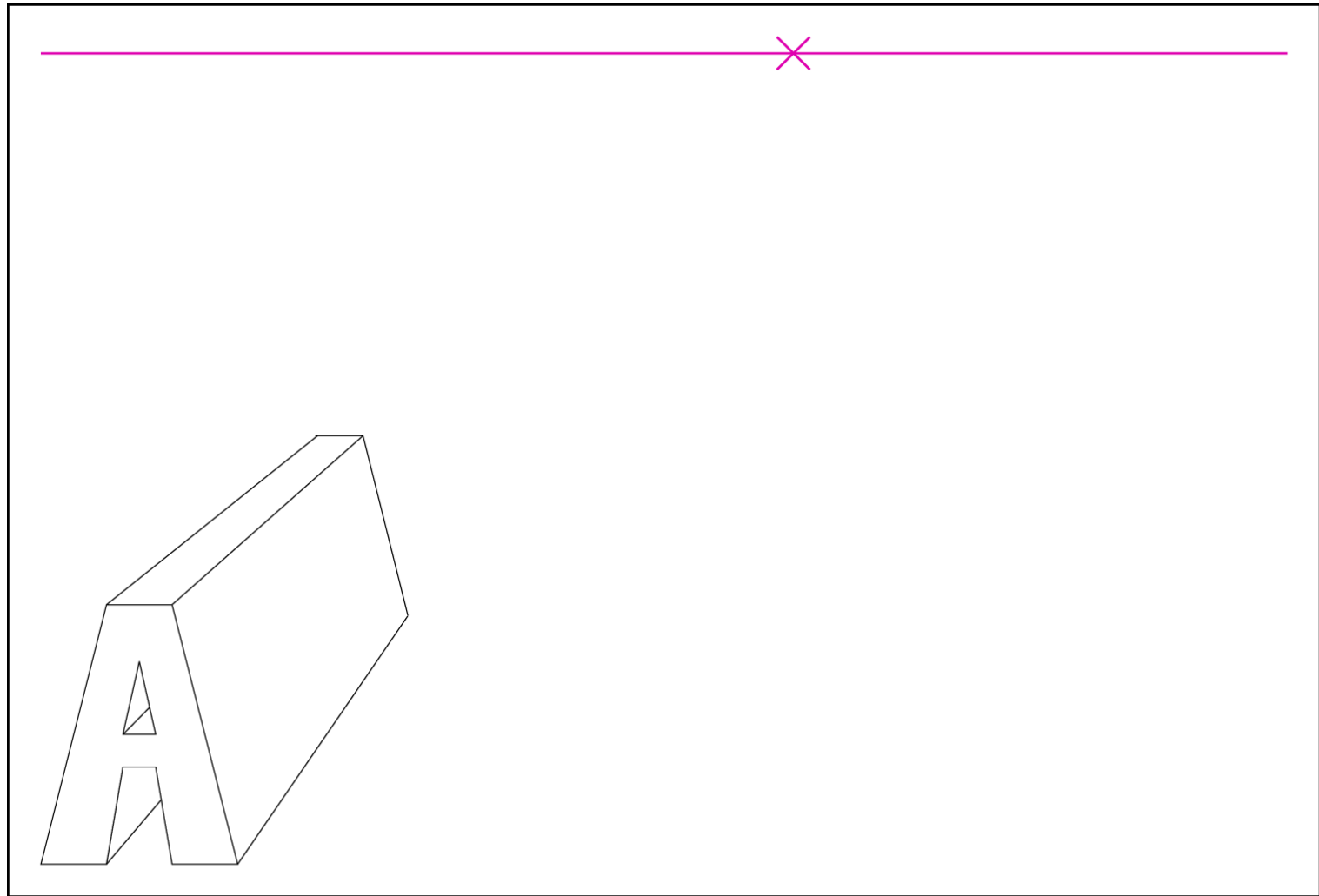
Draw orthogonals from the corners of the letter 'A' to make the sides you will be able to see when the shape is complete.

One Point Perspective Letters



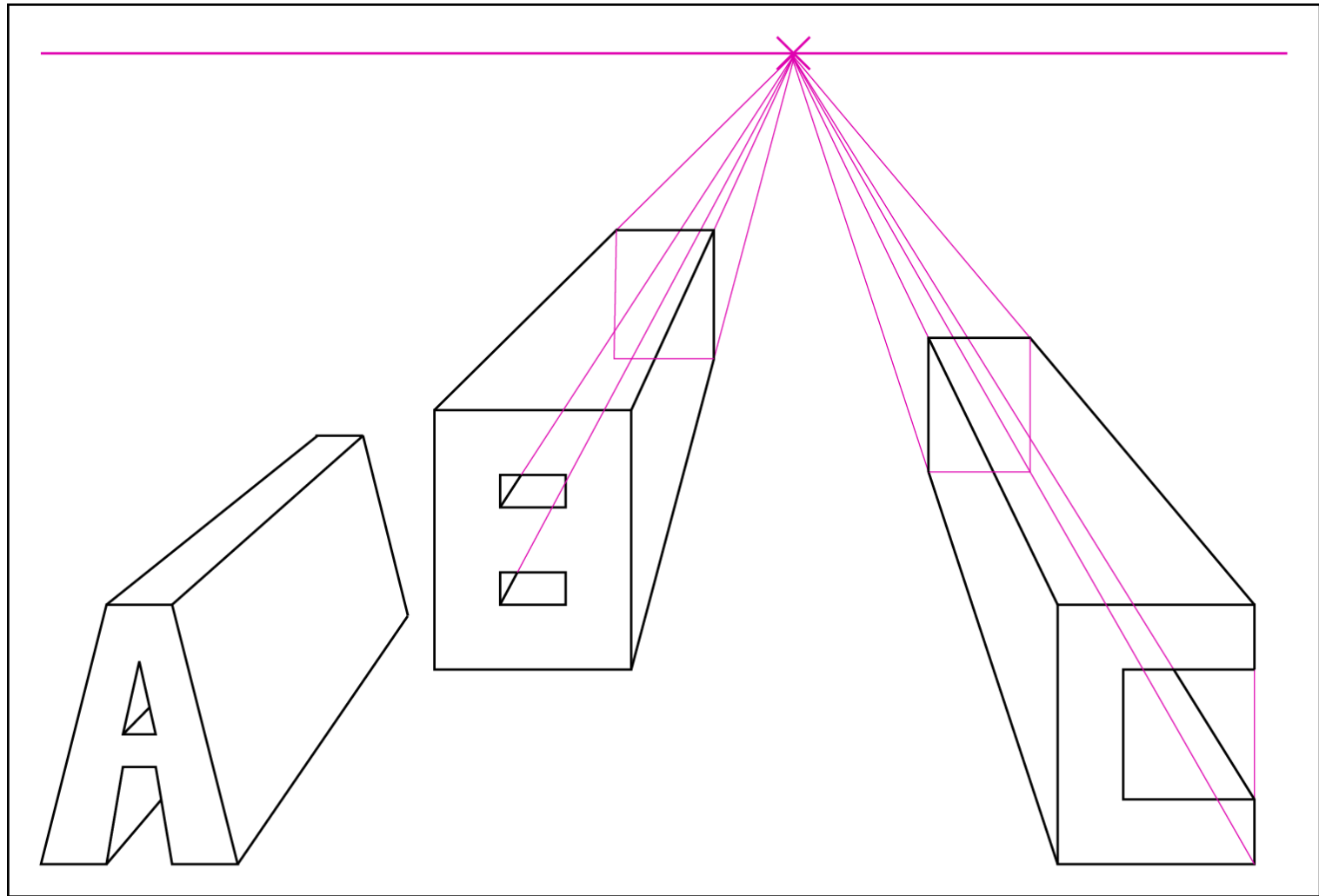
Join up the lines to draw the letter on the back rectangle.

One Point Perspective Letters



Rub out the bits of line you no longer need.

One Point Perspective Letters



Draw three letters of your choice in one point perspective on a page. Use block letters rather than curves and make sure you draw the letter in a rectangle first.